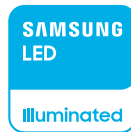
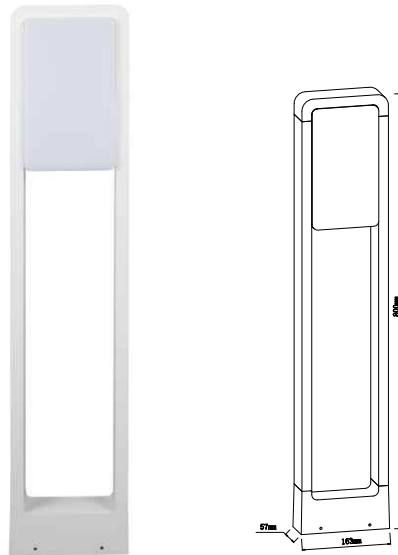


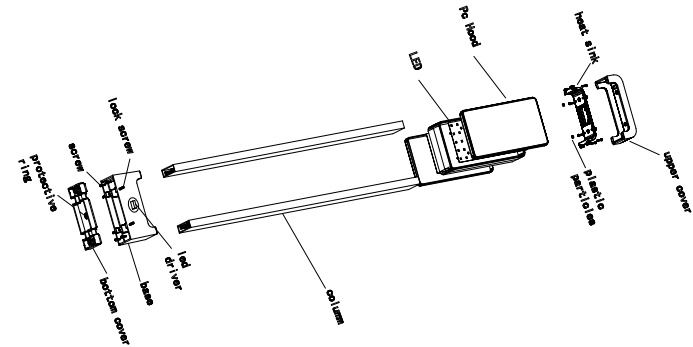
**INSTALLATION INSTRUCTION**  
**LED LIGHT**



**TECHNICAL DATA:**

Model No.	VT-33
Power:	10W
Input Voltage:	AC:220-240V,50/60Hz
Lumens:	900
Beam Angle:	120°x2
CRI:	>80
Protection Rating:	IP65

**STRUCTURE & SIZE**



**INSTALLATION DIAGRAM:**

